

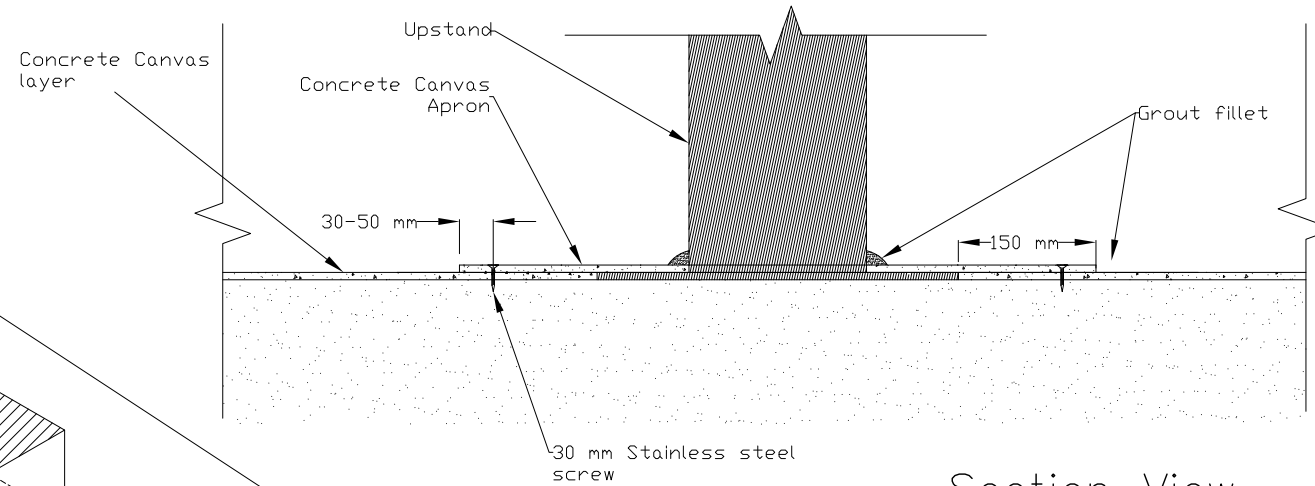
Detail A – CC Upstand Apron

Not to scale.

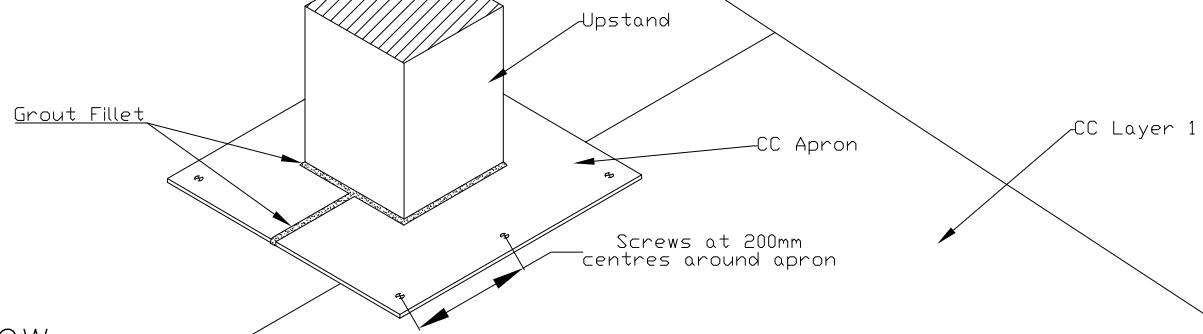
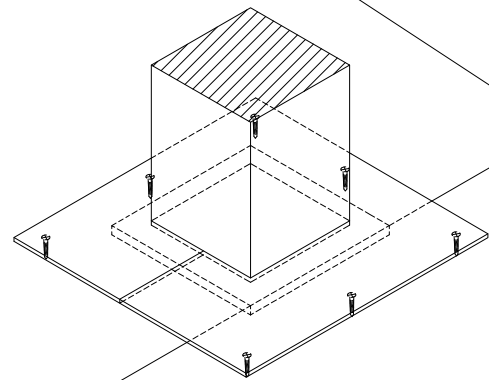
**CONCRETE
CANVAS™**

NOTES:

**TO BE USED FOR ILLUSTRATIVE
PURPOSES ONLY.**



Section View



Isometric View

LEGEND:

TITLE:
**CONCRETE CANVAS UPSTAND
DETAIL WITH APRON**

DRAWING NUMBER:
CC-D-AUI-001-REV2

DATE: 30/03/2016	VERSION: 300316.01
----------------------------	------------------------------

SCALE: NOT TO SCALE.	PRODUCED BY: CONCRETE CANVAS LTD.
--------------------------------	---

CONCRETE CANVAS LTD.
UNIT 3, BLOCK A22, SEVERN RD.
TREForest INDUSTRIAL ESTATE,
PONTYFRIDD, CF375SP
UNITED KINGDOM

TEL: +44 (0)845 680 1908
EMAIL: INFO@CONCRETECANVAS.COM

Please note that this drawing is for illustrative purposes only and should not be used for construction. It is not intended to be a contract document. The user of this drawing is advised to check the details and dimensions against the relevant specifications and standards. The user of this drawing is advised to check the details and dimensions against the relevant specifications and standards. The user of this drawing is advised to check the details and dimensions against the relevant specifications and standards.