



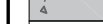
NOTES:

TO BE USED FOR ILLUSTRATIVE PURPOSES ONLY.

ALL PRODUCTS TO BE LAID IN ACCORDANCE WITH MANUFACTURERS RECOMMENDATIONS. INSTALLATION TO BE CARRIED OUT BY TRAINED OPERATIVES AND SUPPORTED THROUGH ONSITE MONITORING AND TESTING.

SPACINGS BETWEEN CONSTRUCTION MATERIALS EXAGGERATED TO INDICATE DETAILS MORE CLEARLY.

LEGEND:

-  Fibrous top surface (Surface to hydrate)
-  3D Fibre matrix and dry concrete mix
-  Membrane backing layer

TITLE:

5.9.1 CC Screw Overlap Joint

DRAWING NUMBER:

CC-J-SOJ-001-REV2

DATE:

31/01/2017

VERSION:

2

SCALE:

NOT TO SCALE.

PRODUCED BY:

CONCRETE CANVAS LTD.

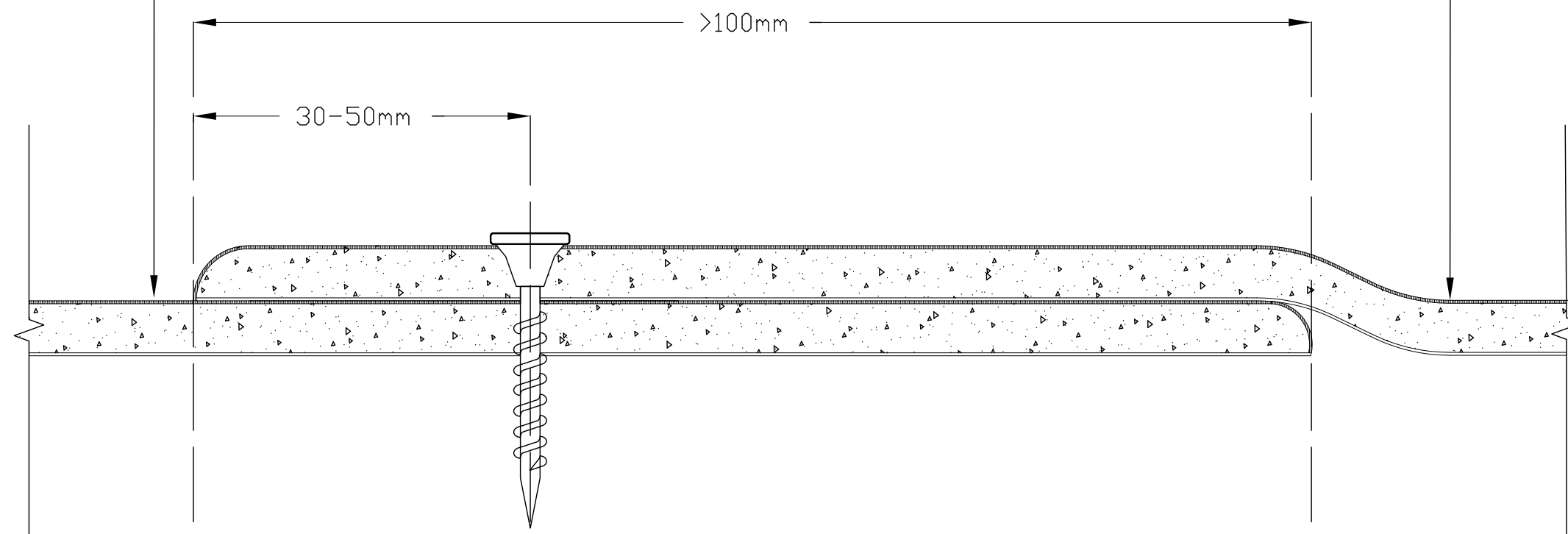
CONCRETE CANVAS LTD.
UNIT 3, BLOCK A22, SEVERN RD.
TREForest INDUSTRIAL ESTATE,
PONTYPRIDD, CF375SP
UNITED KINGDOM

TEL: +44 (0)345 680 1908
EMAIL: INFO@CONCRETECANVAS.COM

Please note: As each customer's use of our product may be different, information we provide, including without limitation recommendations, test results, samples, care/labelling/processing instructions or marketing advice, is provided in good faith but without warranty and without accepting any responsibility. Each customer must test and be responsible for its own specific use, further processing, labelling, marketing etc. All sales are exclusively subject to our standard terms of sale document, available at www.concretecanvas.com, (all additional/other terms are rejected) unless explicitly agreed otherwise in a signed writing.

CC5 Layer A
laid with fibrous top
surface uppermost

CC 5mm Layer B
laid with fibrous top
surface uppermost



NOTE: CC jointing detail above is not impermeable and is designed to be used only for non containment applications to provide erosion control and weed suppression.

It is recommended to apply screws using an auto-fed screwdriver.

Detail A – CC Screw Joint