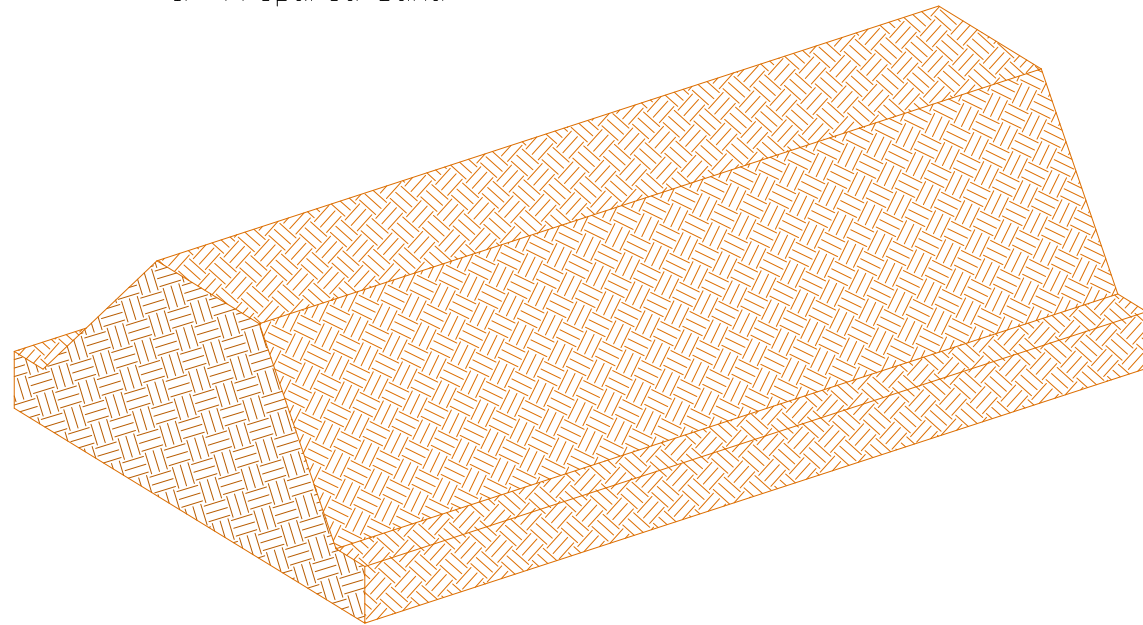
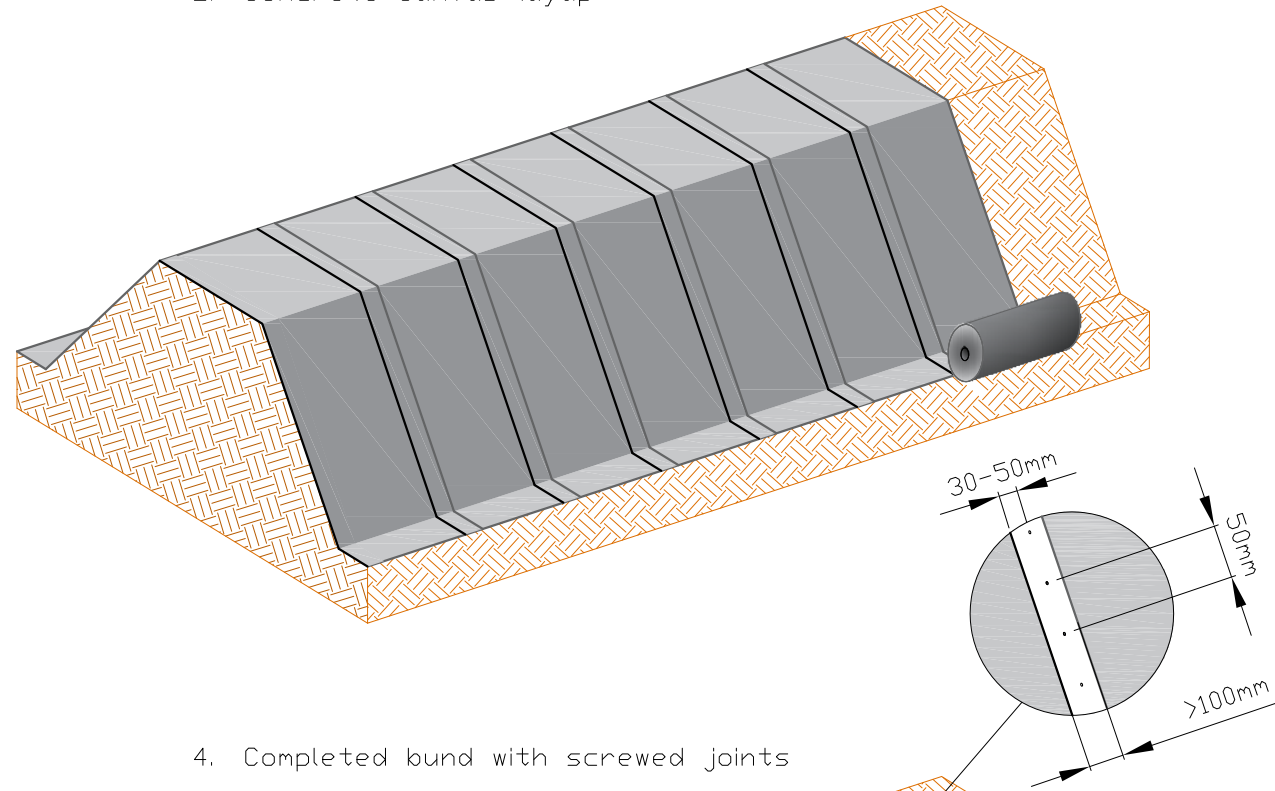


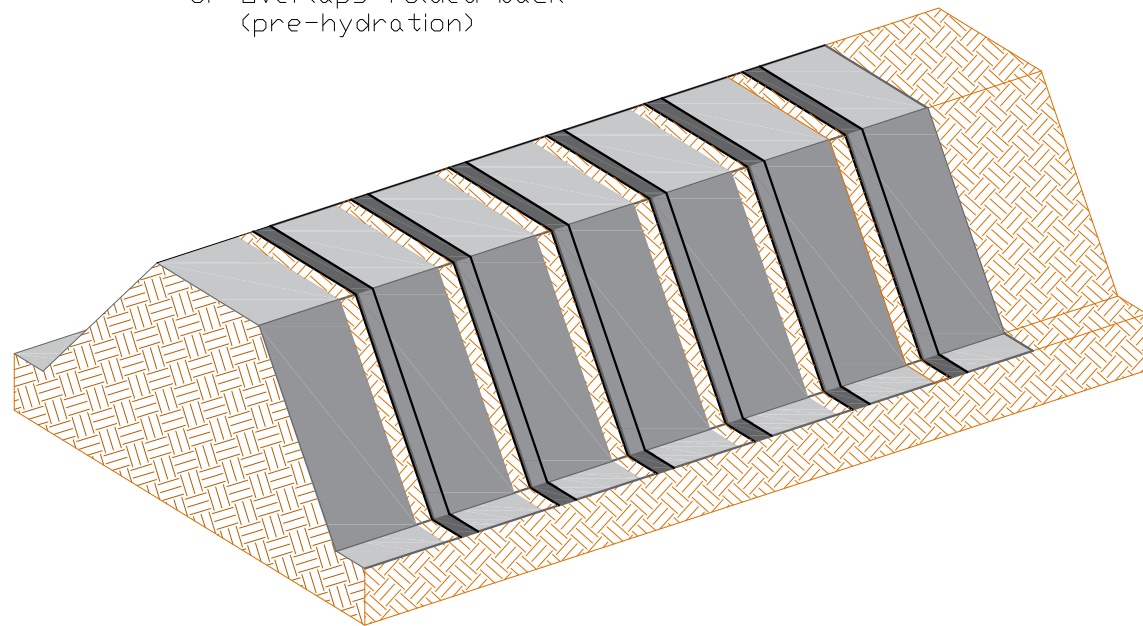
1. Prepared Bund



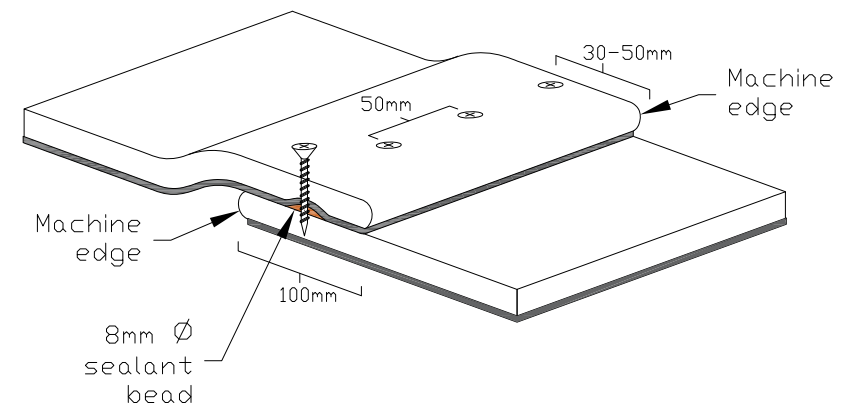
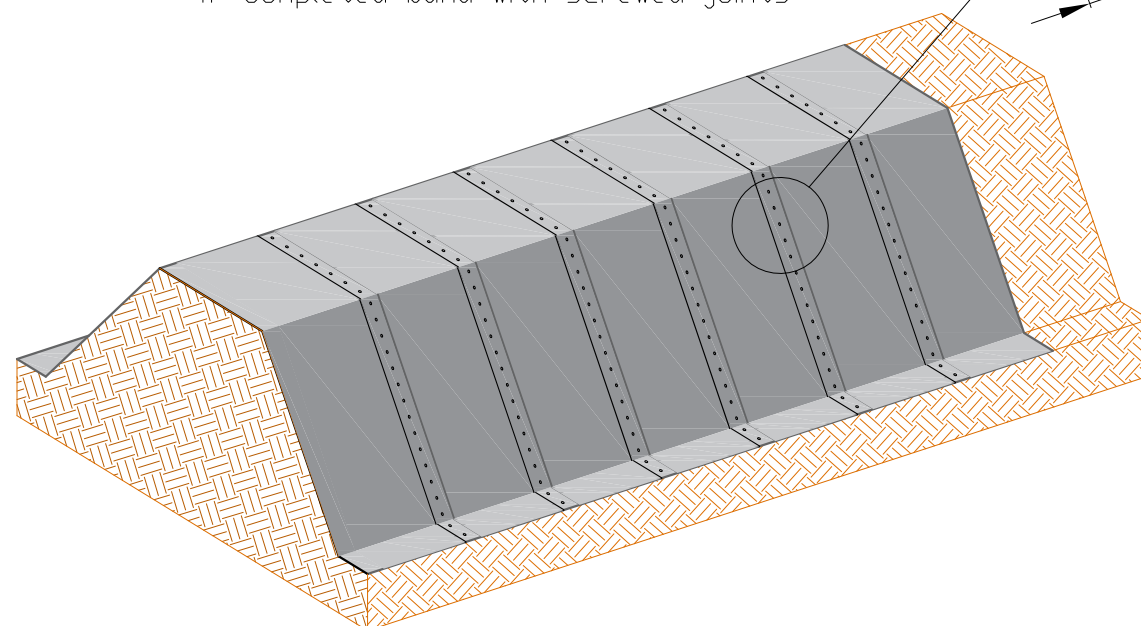
2. Concrete Canvas layup



3. Overlaps folded back (pre-hydration)



4. Completed bund with screwed joints



**SCREWED SEALED JOINT**



NOTES:

TO BE USED FOR ILLUSTRATIVE PURPOSES ONLY.

ALL PRODUCTS TO BE LAID IN ACCORDANCE WITH MANUFACTURERS RECOMMENDATIONS. INSTALLATION TO BE CARRIED OUT BY TRAINED OPERATIVES AND SUPPORTED THROUGH ONSITE MONITORING AND TESTING.

SPACINGS BETWEEN CONSTRUCTION MATERIALS EXAGGERATED TO INDICATE DETAILS MORE CLEARLY.

LEGEND

-  Concrete Canvas
-  Substrate

TITLE:

**5.4.1 - Bund Lining - Layup Stages**

DRAWING NUMBER:

**CC-L-BLLS-001-REV3**

DATE:  
**11/07/2018**

VERSION:  
**2**

SCALE:  
**NOT TO SCALE.**

PRODUCED BY:  
**CONCRETE CANVAS LTD.**

**CONCRETE CANVAS LTD.**  
UNIT 3, BLOCK A22, SEVERN RD.  
TREForest INDUSTRIAL ESTATE,  
PONTYPRIDD, CF375SP  
UNITED KINGDOM

TEL: +44 (0)345 680 1908  
EMAIL: [INFO@CONCRETECANVAS.COM](mailto:INFO@CONCRETECANVAS.COM)

Please note: As each customer's use of our product may be different, information we provide, including without limitation recommendations, test results, samples, care/labelling/processing instructions or marketing advice, is provided in good faith but without warranty and without accepting any responsibility/liability. Each customer must test and be responsible for its own specific use, further processing, labelling, marketing etc. All sales are exclusively subject to our standard terms of sale document, available at [www.concretecanvas.com](http://www.concretecanvas.com), (all additional terms are rejected) unless explicitly agreed otherwise in a signed writing.

# Bund Lining - Layup Stages