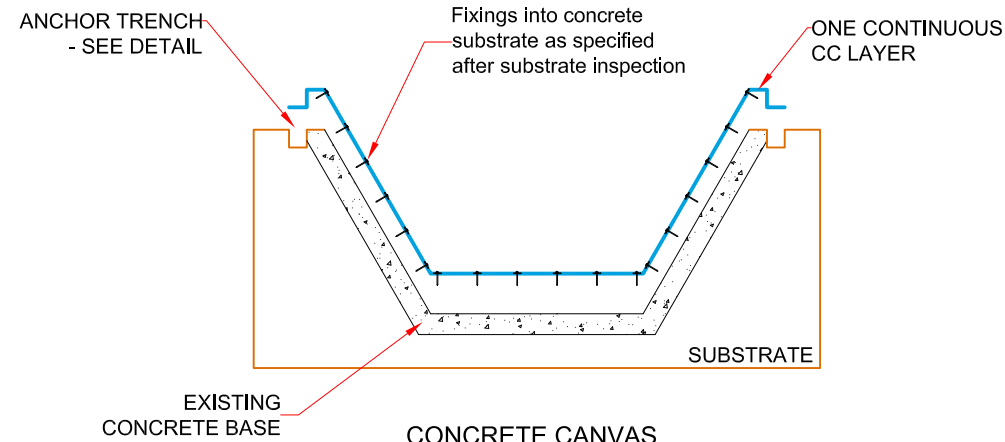


CONCRETE CANVAS CROSS SECTION



CONCRETE CANVAS DITCH LINING CROSS SECTION

NOTES:
Ditch liner to be Concrete Canvas Geosynthetic Cementitious Composite Mat (CC).
SPECIFICATION:
CC Type: CC5
Thickness: 5mm

Compressive strength (ASTM C109 - 02 (initial crack)): 40MPa

Abrasion resistance (DIN 52108): Max 0.1g/cm²

Manning's value (ASTM D6460): n=0.011

Chemical resistance
Acid, Alkaline, Hydrocarbon, Sulphate resistance (BS EN 14414): CC to pass minimum requirements

Age testing - Freeze-Thaw, Soak-Dry, Heat-rain, Water Impermeability (BS EN 12467:2004) CC to pass minimum requirements

TITLE:
CONCRETE CHANNEL REMEDIATION

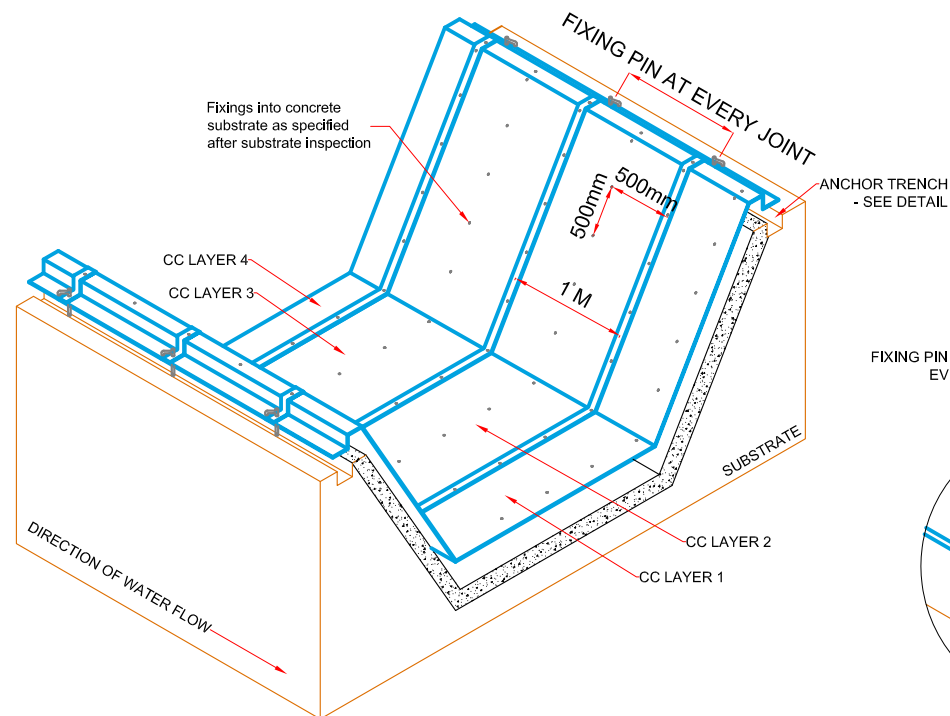
DATE: 15 MAR 2018
REVISION: 0

SCALE: N.T.S.
PRODUCED: VM

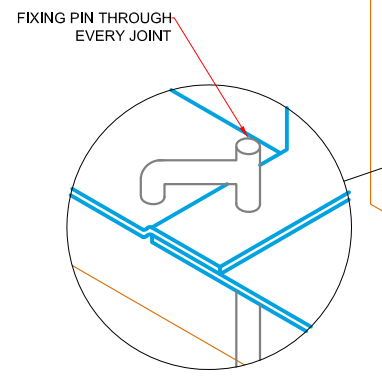
CONCRETE CANVAS

CONCRETE CANVAS LTD
UNIT 3; BLOCK A22, SEVERN RD,
TREForest INDUSTRIAL ESTATE,
PONTYPRIDD,
CF375SP
TEL: +44 (0)345 680 1908
EMAIL:INFO@CONRETECANVAS.COM

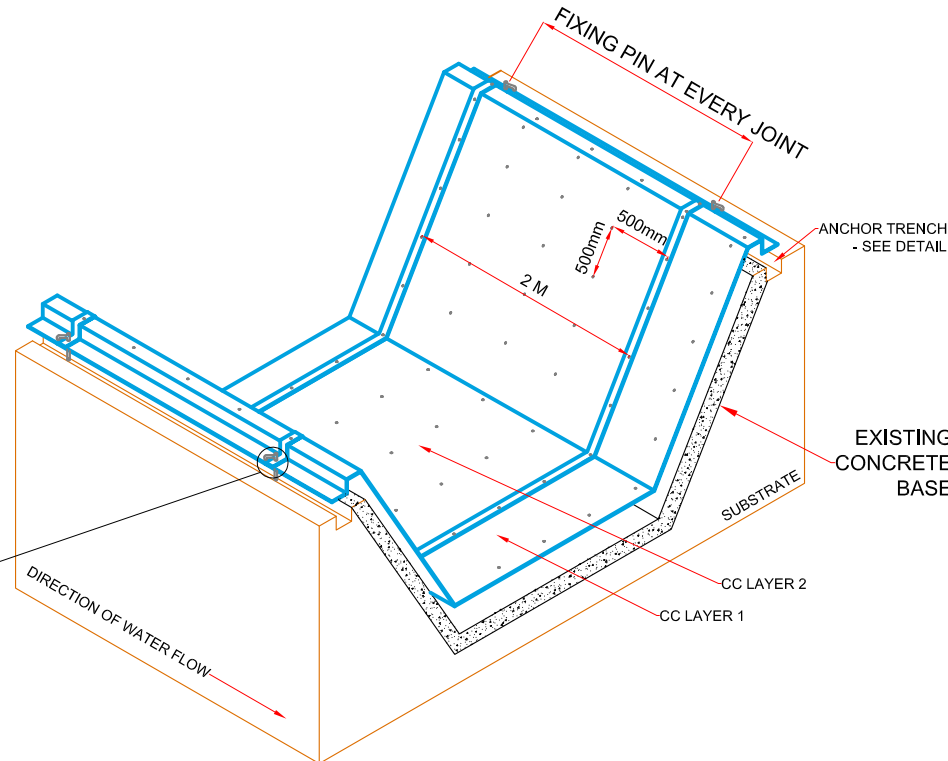
DRAWING NUMBER:
CC-L-CCR-001-REV1



CONCRETE CANVAS SINGLE WIDTH TRANSVERSE DETAIL



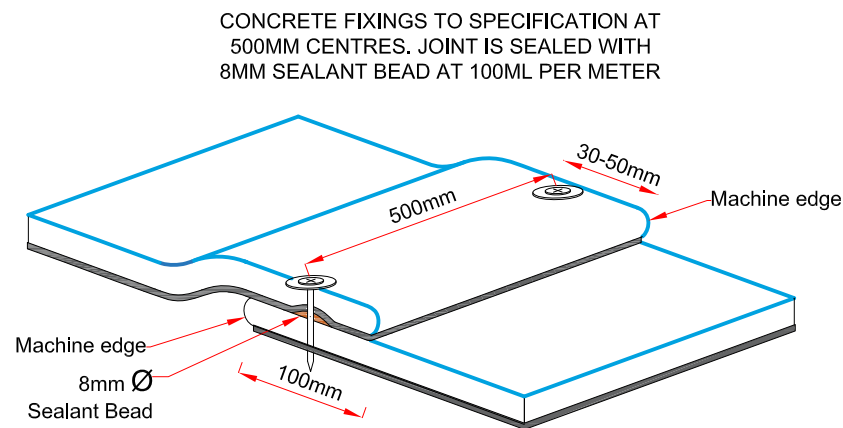
CONCRETE CANVAS JOINING DETAIL



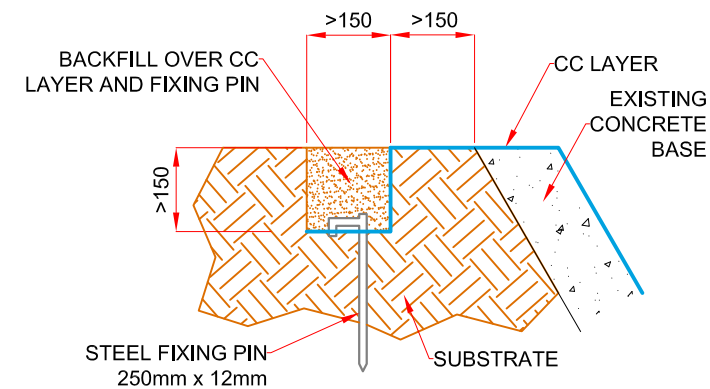
CONCRETE CANVAS DOUBLE WIDTH TRANSVERSE DETAIL

IMPORTANT NOTE: ANCHOR TRENCH IS REQUIRED TO PREVENT UNDERMINING FROM SURFACE WATER AND PROVIDE A NEAT EDGE TERMINATION.

(ANCHOR TRENCH DIMENSIONS ARE INDICATIVE AND MAY VARY ACCORDING TO THE GROUND CONDITIONS, FLOW RATES AND PROFILE GEOMETRY.)



CONCRETE CANVAS OVERLAP JOINT



CONCRETE CANVAS ANCHOR TRENCH DETAIL